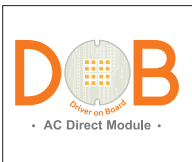
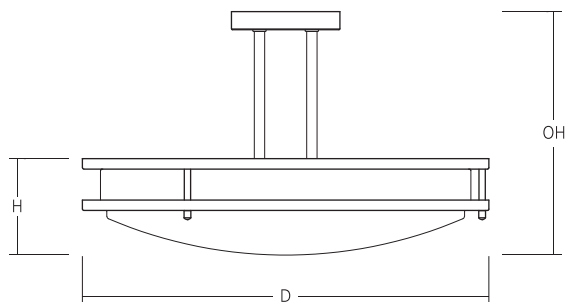


CMED 312(4,7)SP-P   
120V, 220V-230V and 277V
 LED Ceiling Flush Mounted Luminaires with Canopy Fixture Rod



Catalog #		Type
Project		Date
Prepared by		

Flush Mount Canopy LED



Dimension Table

Housing	[CMED 312SP-P]	[CMED 314SP-P]	[CMED 317SP-P]
D (Overall Diameter)	11-3/4" (Ø300mm)	14-5/8" (Ø370mm)	17-3/4" (Ø450mm)
OH (Overall Height)	9-7/8" (250mm)	10-5/8" (268.3mm)	10-5/8" (269.5mm)
H (Height)	3-1/2" (87.3mm)	4-1/8" (105.6mm)	4-1/4" (106.8mm)

DESCRIPTION

CMED 312(4,7)SP-P is SEMI-FLUSHMOUNT ceiling fixture offers refined and sophisticated look. Also offers superior light distribution and even uniformity.

SPECIFICATION

HOUSING	CMED 312SP-P	CMED 314SP-P	CMED 317SP-P
Wattage (Typ)	15W	23W	34W
Lumen (Typ)	890	1,200	2,000
Efficacy (LPW)	59 lm/W	52 lm/W	59 lm/W
CRI (Typical)	80, 90		
Color (+/-5%)	2700K, 3000K, 3500K, 4000K, 5000K		
Dimming	Triac(Consult with factory for approved dimmers)		

FEATURES and FUNCTIONS

- 120V AC LED module with integrated IC chip imbed on board and 10-100% Triac dimming with most of leading and trailing edge dimmer switches in the market.
- Hard gauge metal back plate and the heat sink to facilitate heat dissipation.
- PC diffused lens delivers perfect light distribution.
- 90CRI Standard. Available in 2700K, 3000K, 3500K, 4000K and 5000K.
- Triac dimmable standard.

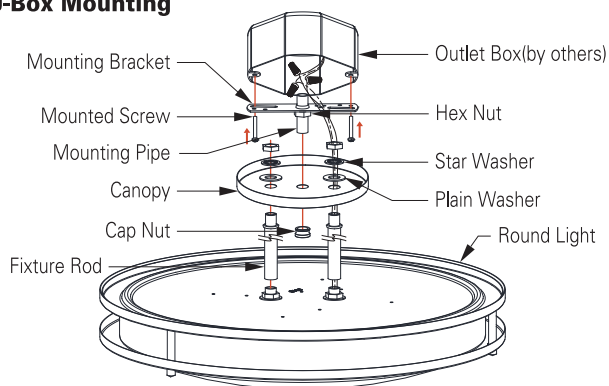
Listing

- CSA-us Certificated
- Energy star Approved & Listed
- State of California Title 24
- Damp location

Warranty

- 5years of lamp life.

J-Box Mounting



ORDERING INFORMATION

Housing	CRI	CCT	Diffuser	Finish
CMED 312SP-P 12", 15W	8 80	27 2700K	P Plastic	WH White
CMED 314SP-P 14", 23W	9 90	30 3000K	G Glass	BK Black
CMED 317SP-P 17", 34W		35 3500K		BN Brush Nickel
		40 4000K		SN Satin Nickel
		50 5000K		CH Chrome

*Consult with factory for custom finishes

Example : CMED 312SP-P-830-P-WH

- - -